

SS/L(P)S

系列离心机

SS/L(P)S Series Centrifuge

SS系列离心机
SS Series Centrifuge

● 工作原理

SS(L(P)S)系列离心机是立式上部卸料过滤离心机，电机带动离合器由三角胶带将动力传递给转鼓，使转鼓绕自身轴线高速旋转，形成离心力场，待分离的物料经顶部加料管进入高速旋转的转鼓内，在离心力场作用下，物料均布在转鼓壁上进行脱液分离，液相透过固相物料及滤网的缝隙。经转鼓壁孔甩至机壳空腔，从底盘出口排出，固相物料则被截留在转鼓内形成滤饼，当滤饼达到装料限量时，停止加料，并将滤饼甩干，也可对滤饼进行洗涤并甩干，达到分离要求后。停机，人工将物料从上部卸出。

● 主要特点

1. 结构简单，操作维修方便。
2. 通用性强，既可适用于同相颗粒状的悬浮液过滤，又可以用于纤维物质及纺织品印染洗涤后的脱水。
3. 结构设计合理，消除卫生死角，结构件圆滑过渡，表面抛光。

● 材质选择

衬胶，衬塑，喷F46，喷Halar，哈氏合金，钛材或其他材料制作要求。

● 结构选择

1. 密闭小盖(配置：加料管，清洗管，观察灯，视孔，开盖助力装置等选择)
2. 电机直联，配套变频控制(配普通减震器)
3. 柱脚，三角圈(底盘)等外包不锈钢
4. 沉降型
5. 其他技术要求

L(P)S系列平板离心机
L(P)S Series Platform Centrifuge

● Working Principle

SS(L(P)S) Series Centrifuge is a vertical upper discharging filtration centrifuge. The drum is driven by the motor through the gear connected by the V-belt. The drum revolves at high speed to produce centrifugal force. Materials to be separated are fed through the feeding pipeline at the top and enter into the high speed drum. Driven by centrifugal force, materials are evenly distributed on the wall of the drum for dehydration and the liquid phase is thrown through the solid phase and the holes of the mesh to the hollow cavity and finally flows out from the bottom. The solid phase is intercepted and kept in the drum to form filtration cake. When the cake reaches its maximum size, the feeding is stopped. The cake is dried, or first cleansed and then dried to the predestinated requirement. Finally the machine is stopped and the materials can be discharged manually.

● Main Characteristics

1. Simple structure with easy maintenance.
2. Wide applicability, including filtering suspension with grains as solid phase and dehydrating fiber materials and dyed textile materials.
3. Appropriate design of the structure for easy cleaning, with smooth polished surface and completely transition of accessories.

● Material Choice

Lining glue, lining plastic, spray F46, spray Halar, Haynes satellite titanium and other materials.

● Structure Choice

1. Sealed cover(configuration: feeding pipeline, washing pipeline, view lighting, sight hole, auxiliary cover opening device).
2. Direct motor connection and frequency conversion (with common shock absorber)
3. Stainless-covered pedestal, triangular ring(chassis) is covered by ss.
4. Subside style
5. Other technology demands.

SS

系列离心机

SS Series Centrifuge

● 标准结构形式

采用传统结构形式，整机由六大部件：机架组合三角圈，柱脚，底盘，轴座组合，壳体，转鼓，摩擦式手动刹车机构，电机及摩擦（或自动）离合器等组成。

● 主要材料

三角圈，柱脚，底盘，轴座，转鼓兰底均采用HT材料，转鼓壁，拦液板，外壳及底盘、轴座、转兰的衬包均采用不锈钢。

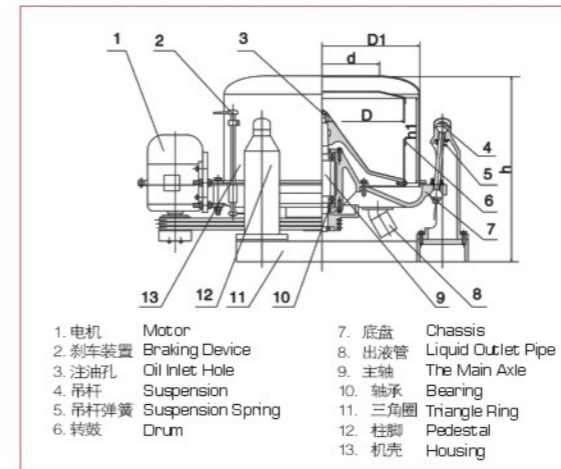
● 型号及主要技术参数 Model and Main Parameters

项目Item	型号 Model	SS-200	SS-300	SS-450	SS-600	SS-800	SS-1000	SS-1200
转鼓直径 Drum diameter (mm)		200	300	450	600	800	1000	1200
转鼓容积 Drum capacity(L)		3	10	20	45	90	140	250
转鼓高度 Drum height(mm)		140	210	300	350	400	420	440
装料限量 Maximum feeding (kg)		3.5	12	30	68	135	200	300
转鼓转速 Drum speed (r/min)		3000	2800	2000	1600	1200/1500	1080/1200	950
最大分离因素 Maximum separation factor		1007	1315	1007	860	645/1007	652/805	605
电机功率 Motor power(Kw)		0.55/0.75	1.5	3	3	5.5/7.5	11	15
机器重量 Weight(Kg)		45	160	500	800	1320/1400	2000/2200	2600

随着科技的进步，我们保留更改的权利 All right is reserved for amendment with improvement of technology

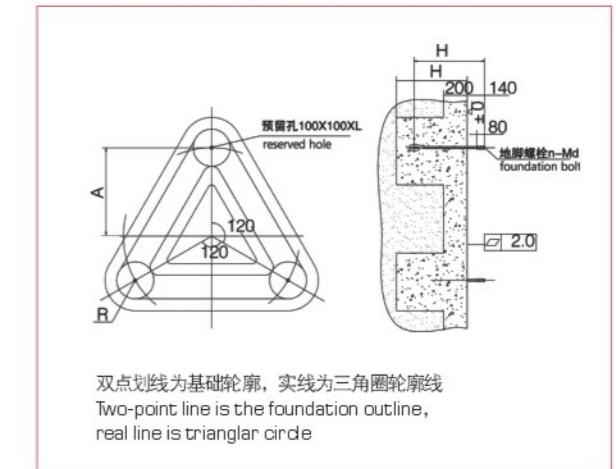
● SS三足离心机外形结构示意图

The Sketch map of the structure of SS three-Foot Centrifuge



● SS系列离心机基础图

The Foundation Drawing of SS Series Centrifuge



● 外型及安装尺寸 Appearance and Installation Size

项目Item	代号 Model	D1	H	D	D	H1	A	R	H	H1	L	N	D1
SS300		370	660	300	200	210	218	110	500	320	320	3	14
SS450		620	650	450	320	300	380	140	500	350	350	3	16
SS600		800	805	600	420	350	510	200	500	400	400	3	20
SS800		960	880	800	560	400	590	200	600	400	400	3	20
SS1000		1200	960	1000	750	420	750	200	700	500	500	3	24
SS1200		1400	1050	1200	850	440	820	240	700	600	600	3	27

L(P)S

系列平板离心机

L(P)S Series Platform Centrifuge

● 标准结构形式

采用平台式结构，外壳平台焊接为一体，整机由六大部件组成：平台外壳，轴座组成，转鼓，摩擦式手动刹车机构，电机及摩擦（或自动）离合器等组成。

● 主要材料

平板为Q235包衬不锈钢，转鼓除兰底采用HT包衬不锈钢其余全部采用不锈钢，壳体采用不锈钢，轴座采用ZG（HT）外包不锈钢。

● 配置选择

1. 立式防爆电机，防静电传动皮带
2. 变频控制+能耗制动（反馈制动）
3. 振动保护
4. 其他配置要求

● 型号及主要技术参数 Model and Main Parameters

项目Item	型号 Model	L(P)S-300	L(P)S-450	L(P)S-600	L(P)S-800	L(P)S-1000	L(P)S-1200
转鼓直径 Drum diameter (mm)		300	450	600	800	1000	1200
转鼓容积 Drum capacity(L)		10	20	45	90	140	250
转鼓高度 Drum height(mm)		210	300	350	400	420	440
装料限量 Maximum feeding (kg)		12	30	68	135	200	300
转鼓转速 Drum speed (r/min)		2800	2000	1600	1200/1500	1080/1200	950
最大分离因素 Maximum separation factor		1315	1007	860	645/1007	640/805	605
电机功率 Motor power(Kw)		1.5	3	3	5.5/7.5	11	15
机器重量 Weight(Kg)		220	550	950	1400/1500	2400/2500	3200

随着科技的进步，我们保留更改的权利 All right is reserved for amendment with improvement of technology

● Standard structure form

L(P)S series centrifuges are designed in platform structure, with its shell and platform welded together, consisting of six main parts: platform shell, the combined axle seat, the drum, the friction manual braking device, the motor and the friction or automatic clutch.

● Main Material

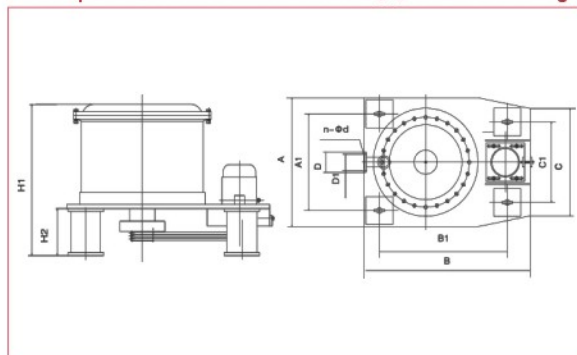
The platform is made of Q235 lining stainless steel, and the drum is made of stainless steel except the column bottom which is made of HT lining stainless steel. The shell is made of stainless steel and the axle seat is made of ZG(HT) covered with stainless steel.

● Configuration Choice

1. Vertical anti-explosion motor and static-proof conveyor
2. Frequency conversion and energy-consuming control (feedback braking)
3. Vibration protection
4. Other configuration requirements

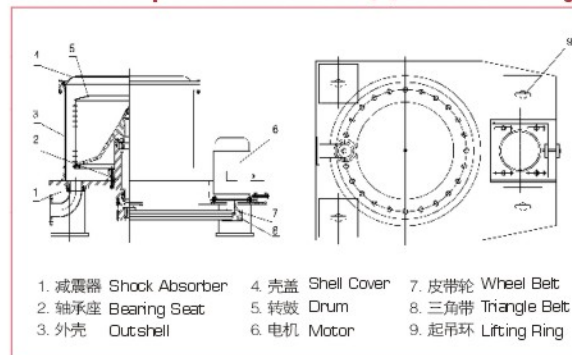
● L(P)S系列离心机外型及安装尺寸

The Shape and The Size of Installation of L(P)S Series Centrifuge



● L(P)S系列离心机结构示意图

The Sketch Map of The Structure of L(P)S Series Centrifuge



● 外型及安装尺寸 Appearance and Installation Size

项目Item	代号 Model	A	A1	B	B1	H1	H2	C	C1	D	D1	N-φd
L(P)S300		620	460	800	530	520	200	620	460	140	100	4-φ18
L(P)S450		920	720	1260	830	720	250	600	720	165	125	4-φ18
L(P)S600		920	660	1335	845	865	250	600	660	185	145	4-φ18
L(P)S800		1200	900	1600	1230	1008	320	1000	750	200	160	8-φ18
LS(P)1000		1500	1100	1968	1350	1065	300	885	1000	220	180	8-φ18
LS(P)1200		1800	1200	2280	1700	1225	360	1400	1200	250	210	8-φ18

随着科技的进步，我们保留更改的权利 All right is reserved for amendment with improvement of technology



Saideli centrifuge manufacturing experts